

Industrial insulated closing systems

FOLDING

Multileafed folding door with lower guide



Multileafed door consists of 52mm thick panels. Each panel has face sheets of light-gauge steel (20/10 galvanised steel SENDZIMIR), pre-painted white colour / grey similar to RAL 9002 and bonded to a galvanised steel channel frame reinforced with a rigid plastic-foam core. Metal sheets are obtained from an initial continuous lamination process, following a phosphate process and a final Primer paint (5 Micron thickness) on both sides of sheets. The finishing consists in 20 Micron thick paint applied on the external side of the sheet. So that the surface is totally smooth. The pre-painting finishing provides 400 hours of resistance in the saline fog atmosphere room without any alteration. In order to avoid any possible scratch, an adhesive film is applied on and to be removed once the door is assembled. The thermal insulation is assured by the injection of auto-extinguishing polyurethane foam according to standard DIN 4102 class B2 of 43/45 Kg./m³ density. The polyurethane foam provide high resistance to heat flow thanks to the press process.

The upper guide consists of two rails painted in black colour: equipped with trolleys and bearings and already arranged for possible motorizations, steel anchors, junction for assembling door leaves and chain holders. For single pack solution, the lateral leg (column) consists in 120x40mm galvanised steel profile, fastened onto the wall thanks to galvanised steel anchors.

The bottom rail consists of "U" shape galvanised steel profiles designed under our technicians' supervision and provided with distance regulators in accordance with the wheelbase of the door. Lower guide is provided with holes and pipes for plumbing. An execution drawing is provided to help during the installation of the lower guide.

The matt black flap hinges consist of aluminium alloy, obtained from a process of die-casting. A particular study grants to the hinge the possibility to get hurt by vehicles and to absorb the choc

without breaking the panels. Hinge is equipped with ball bearings between the knuckles to reduce friction and ensure ease of operation. The galvanised steel pin is designed thanks to milling machine which assures an internal fixing without possibility to be removed. Cremones (cremone bolts) and aluminium handles painted in black colour are installed on the internal face of door panels at eye level. Cremones are designed to grant 4 fastening points and central friction. A vertical galvanised steel flush bolt (tower bolt) is provided with two die-cast brass rods to grant two points of closure. In order to assure an easy sliding, all strike plates are internally covered by Teflon.

The panel gasket consists in EPDM rubber (anti-aging) alongside the perimeter in order to assure strong closure between wings. The space between wings consists in 50mm. (anti-crushing) for all versions: manual, motorized or arranged for the motorization according to the Law.

The upper and lower gaskets are designed in C shaped gasket with pre-cut lines (double adjustable strips) in order to grant different possibilities in adapting the door to the clear opening, the floor and the ceiling (lintel). Horizontal and vertical gaskets are sealed as a single profile, which guarantees thermal insulation and avoids water coming inside.

Color: standard White Grey similar to RAL 9002

Working temperature: -30°Celsius; +70°Celsius

Acoustic insulation UNI EN 717-1; R=28dB.

Windload resistance directive CE EN13241-1, windload class resistance 4

Thermal transmittance according to 13241-1 U=1,7W/sqm.k



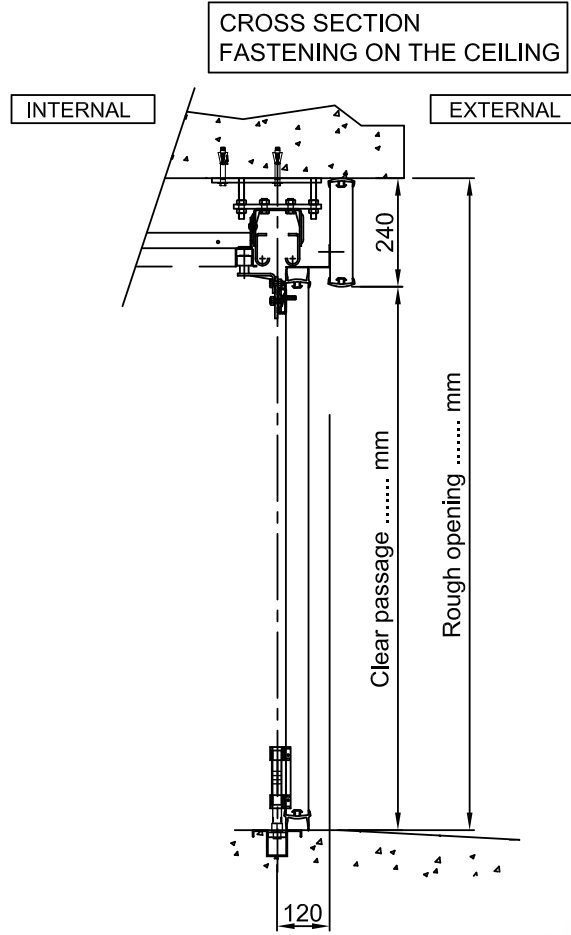
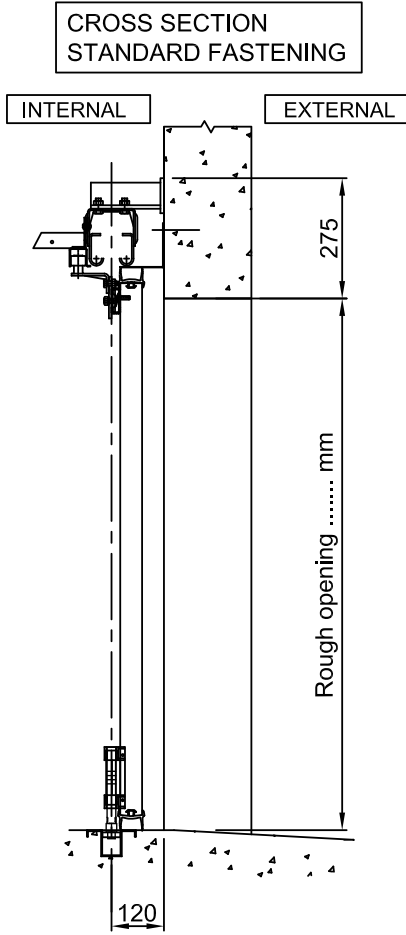
w e o p e n y o u r f u t u r e



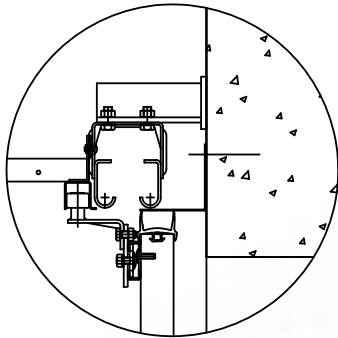
FOLDING

Multileafed folding door with lower guide

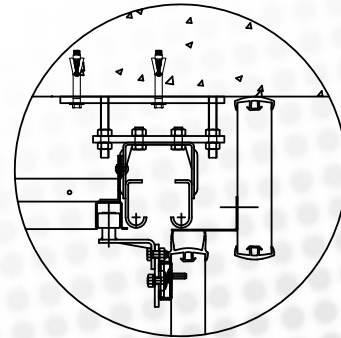
Industrial
insulated
closing
systems



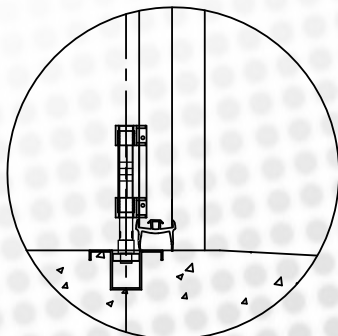
Detail of the upper guide
Standard fastening

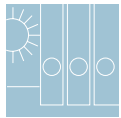


Detail of the upper guide
Fastening on the ceiling



Detail of the lower guide





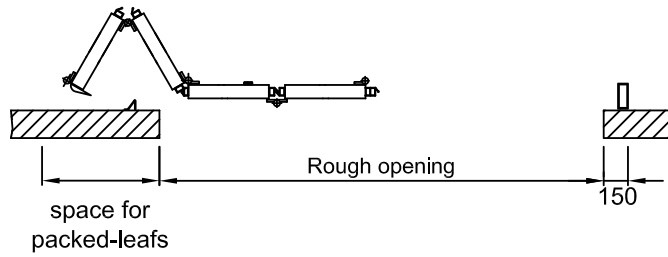
FOLDING

Multileafed folding door with lower guide

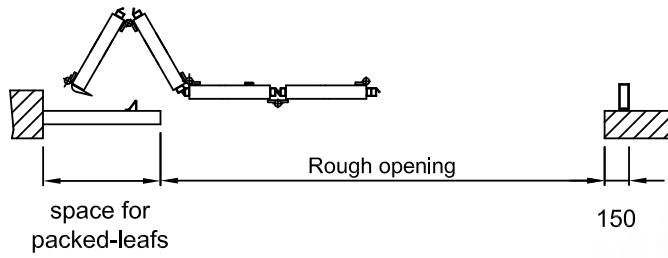
Industrial
insulated
closing
systems

HORIZONTAL SECTION

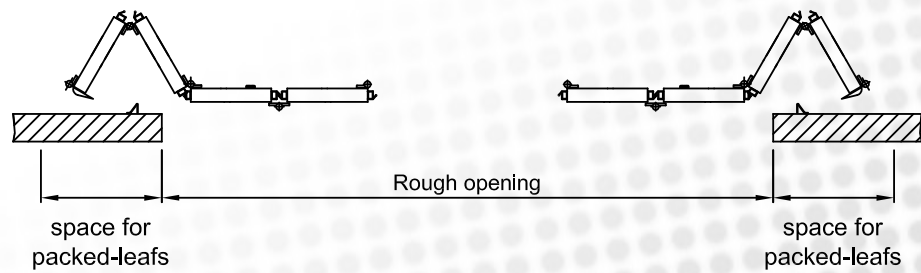
Mod. FOLDING
face fixed

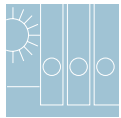


Mod. FOLDING
reveal fixed



Mod. FOLDING2L





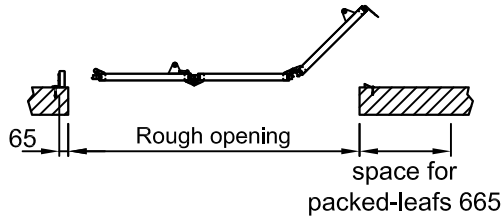
FOLDING

Multileafed folding door with lower guide

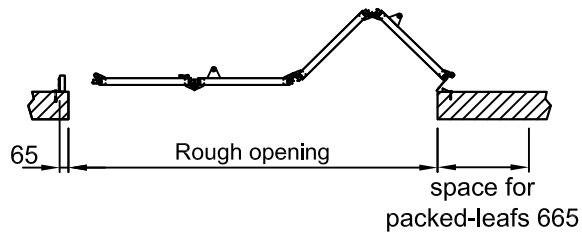
Industrial
insulated
closing
systems

HORIZONTAL SECTION

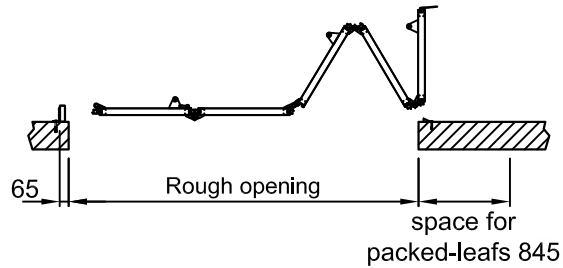
Mod. FOLDING 3+0



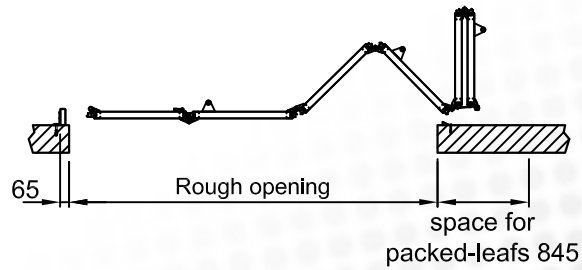
Mod. FOLDING 4+0



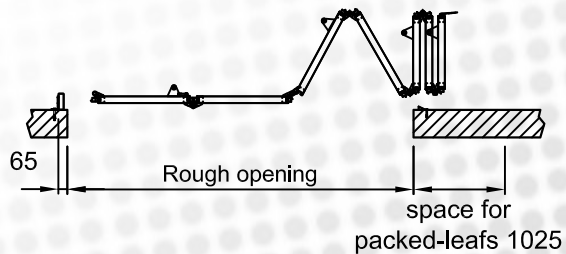
Mod. FOLDING 5+0



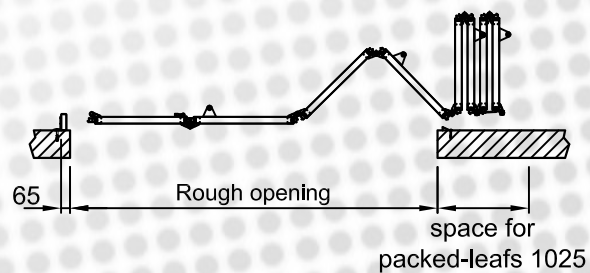
Mod. FOLDING 6+0



Mod. FOLDING 7+0



Mod. FOLDING 8+0



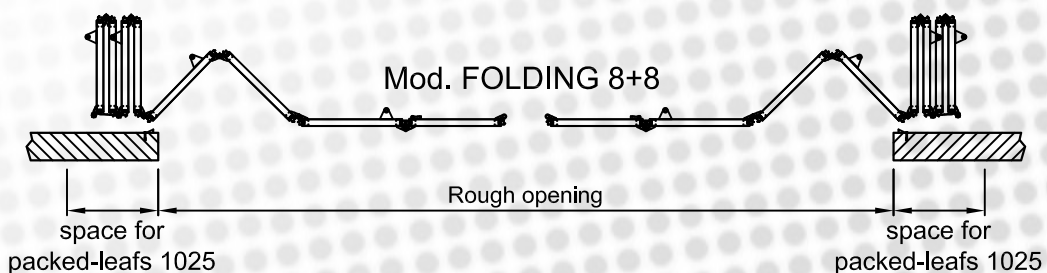
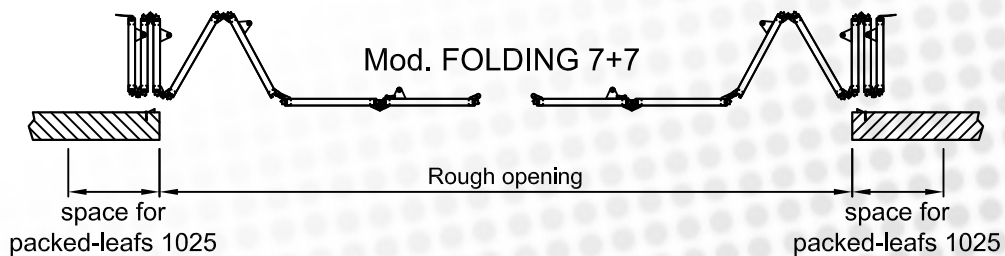
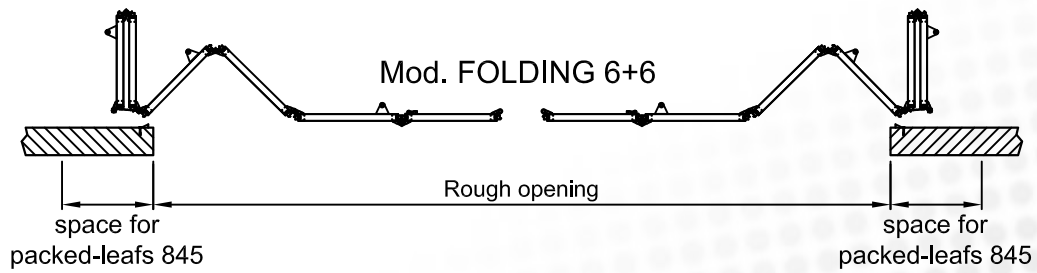
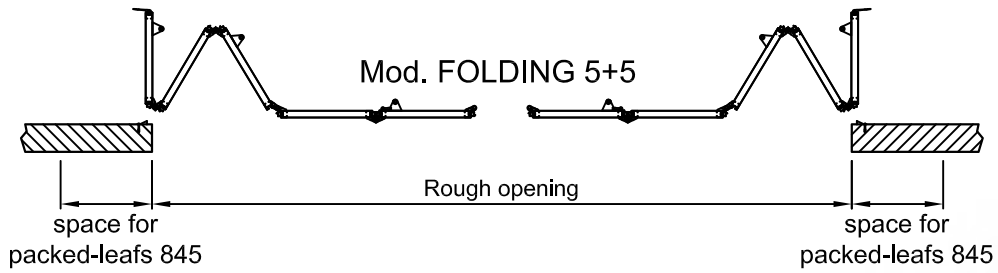
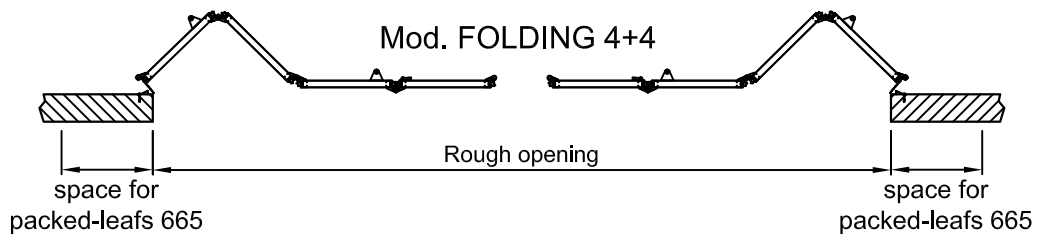
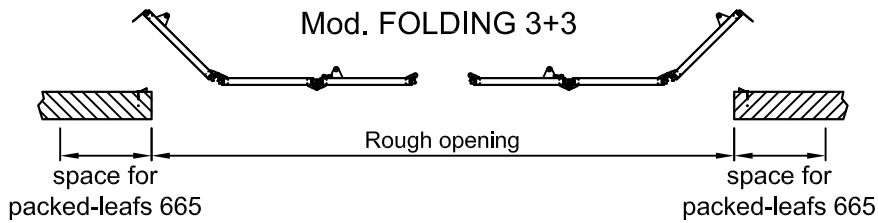


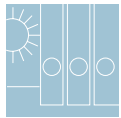
FOLDING

Multileafed folding door with lower guide

Industrial
insulated
closing
systems

HORIZONTAL SECTION





FOLDING

Multileafed folding door with lower guide

Industrial
insulated
closing
systems

Visual lights with safety glass 5+5 Visarm and sealing in EPDM gasket

500 X 500
500 X 700
500 X 1000
600 X 1200
700 X 700
700 X 1000

Visual lights with aluminium frame and 5+5 Visarm glass or double-glass. Various finishing

500 X 500
500 X 700
500 X 1000
600 X 1200
700 X 700
700 X 1000

O P T I O N S

- Pedestrian door with or without threshold (wicket door)
- Fixed panels
- External tower bolt with lock and lever
- Louvred panel
- Tubular beam
- Stainless steel finishing
- Available colors in pre-painted metal sheet:
Grey/White RAL 9016, White RAL 9010, Dark Grey RAL 7016, Silvery Grey RAL 7001, Grey Aluminum RAL 9007, White Aluminum RAL 9006, White/Grey RAL 9002, Brown RAL 8028, Dark Brown RAL 8019, Green RAL 6002, Green RAL 6005, Blue RAL 5010, Blue RAL 5009, Red RAL 3000, Ruby Red RAL 3003, Yellow RAL 1021.
- Possible RAL painting
- Automation (motor)

Machinery directive compliance 98/37/CE
Directive for low voltage tools compliance 73/23/CEE
Electromagnetic compatibility directive compliance 89/336/CEE
EN 12445, safe use for motorised door. Test.
EN 12453, safe use for motorised door. Requirements.



Arzago D'Adda (BG) Italy Via Lodi,29 Tel. +39 0363 87791 Fax +39 0363 879272

www.moreschisrl.it