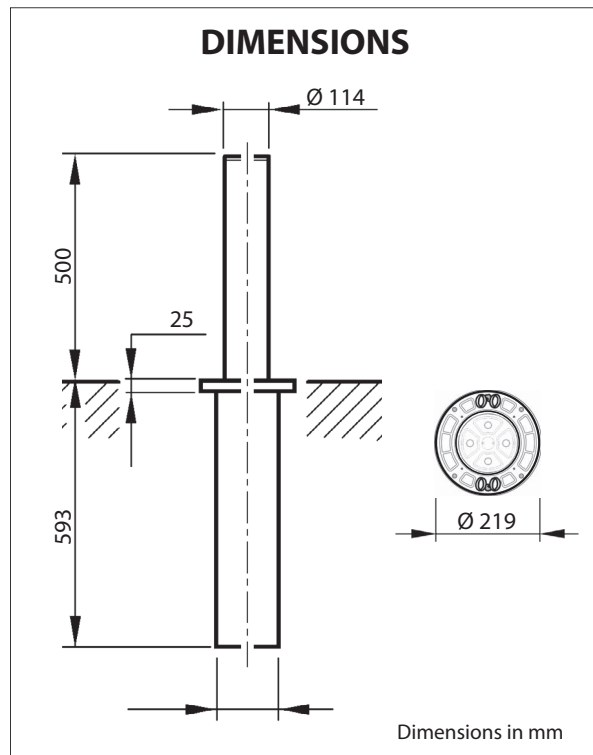


PRODUCT DATASHEET

SCUDO-G

Semi-automatic gas bollard

For control of road access.



• Gas bollards

- Break-in resistance: **30 000 J**
- Rod steel, cathoresis and coating; stainless steel (optional)
- Adhesive film-reflectorized band, customizable (optional)
- End stroke automatic locking system with assisted shaft rising
- Mechanism release system by standard triangular bit release key; also available in a security version with special bit (optional)

REFERENCE STANDARDS

2006/42/CEE (EN60204-1) • Machinery directive

TECHNICAL-ENVIRONMENTAL MAIN FEATURES

Driven rod out of the ground	Ø114 x h.500 x th.4 mm, steel Fe 360 (S 235 JR) *
Buried structure	Ø168 x h.593 mm
Foundation	Concrete
Excavation	300 x 300 x h.600 mm
Break-in resistance	30 000 J
Driven rod treatment	Cataphoresis and coating RAL7031 standard, other colour on request
Passive visibility	Reflective film **
Flange	Cast iron, cataphoresis black
Top cover	Cast iron, cataphoresis black
Lifting	By means of a gas spring
Net weight	24 kg
Gross weight	25 kg

* option, AISI304 or AISI316

** Customizable (optional)

ITEM SPECIFICATION

Semi-automatic gas bollard Ø114 x 500 X th.4 mm, steel Fe 360 (S 235 JR). Cataphoresis, powder paint. Break-in resistance 30 000 J. Mechanism release system by standard triangular bit release key; end of travel automatic locking system with assisted shaft rising.



O&O s.r.l. a socio unico - Via Europa, 2 - 42015 Correggio (RE) Italy
 tel. +39 (0)522 740111 - fax +39 (0)522 631290
<http://www.oeo.it> - email: oeo@oeo.it
 Company subject to management and coordination activities by BFT S.p.A.