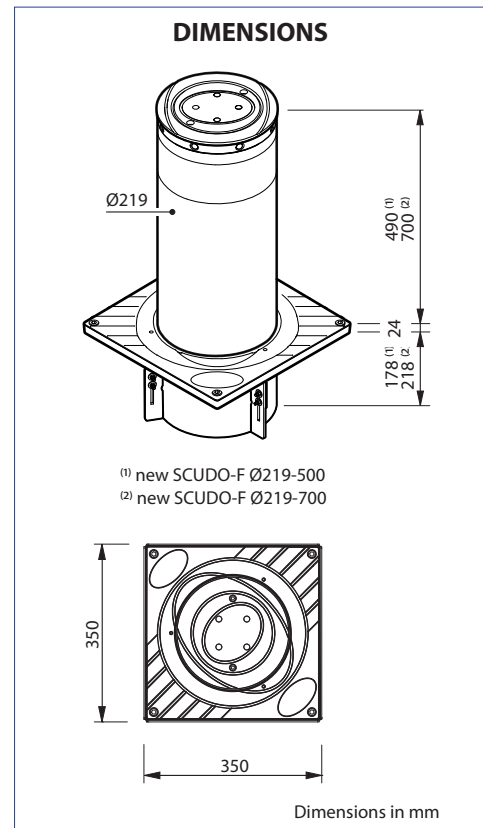


PRODUCT DATASHEET

new SCUDO-F

Fix bollard

Fixed bollard for bolting to the floor. Diameter and dimensions are the same as the automatic models. Available in two dimensions.



• Fixed bollard

- Break-in resistance: **150 000 J**
- Painted stem; stainless steel (optional)
- Adhesive film-reflectORIZED band, customizable (optional)
- Bollard top cover with led lights (optional)

REFERENCE STANDARDS

- 2004/108/CEE; 93/68/CEE (EN55014-1; EN55014-2) • Electromagnetic Compatibility
- 2006/95/CEE; 93/68/CEE (EN60335-1(2002)) • Low voltage
- 2006/42/CEE (EN60204-1) • Machinery directive

TECHNICAL-ENVIRONMENTAL MAIN FEATURES

Rod out of the ground	new SCUDO-F 500: Ø219 x h.490 x sp.5 mm steel Fe 360 (S 235 JR) *	new SCUDO-F 700: Ø219 x h.700 x sp.5 mm steel Fe 360 (S 235 JR) *
Buried structure	new SCUDO-F 500: Ø219 x h.178	new SCUDO-F 700: Ø219 x h.218
Foundation	Concrete	
Excavation	500 x 500 x h.400 mm	
Break-in resistance	150 000 J	
Driven rod treatment	Cataphoresis and coating RAL7031 standard, other colour on request	
Passive visibility	Reflective film **	
Flange	Cast iron, cataphoresis black	
Top cover	Cast iron, cataphoresis black	
Net weight	new SCUDO-F 500: 30 kg	new SCUDO-F 700: 37 kg
Gross weight	new SCUDO-F 500: 45 kg	new SCUDO-F 700: 53 kg

* Option, AISI304 or AISI316

** Customizable (optional)

ELECTRICAL FEATURES

Light power supply	PS-SG 24Vac
Power	Light cable 24 Vac ±10%, 50-60 Hz (up to 80 bollards)
Power consumption	1 W for each bollard
Signalling	On the top with high intensity LEDs (optional)

For system composition and installation refer to the regulations in force in the country where the system is being installed.

ITEM SPECIFICATION

Fixed bollard for bolting to the floor. Diameter and dimensions the same as the automatic models. Available in two sizes:

- Ø219 x h.499 x th.5 mm, steel Fe 360 (S 235 JR). Finishing: cataphoresis, powder paint. Break-in resistance 150 000 J. Adhesive reflecting strip. Top cover compatible with high-brightness LED lights.

- Ø219 x h.700 x th.5 mm, steel Fe 360 (S 235 JR). Finishing: cataphoresis, powder paint. Break-in resistance 150 000 J. Adhesive reflecting strip. Top cover compatible with high-brightness LED lights.



O&O s.r.l. a socio unico - Via Europa, 2 - 42015 Correggio (RE) Italy
 tel. +39 (0)522 740111 - fax +39 (0)522 631290
<http://www.oeo.it> - email: oeo@oeo.it
 Company subject to management and coordination activities by BFT S.p.A.