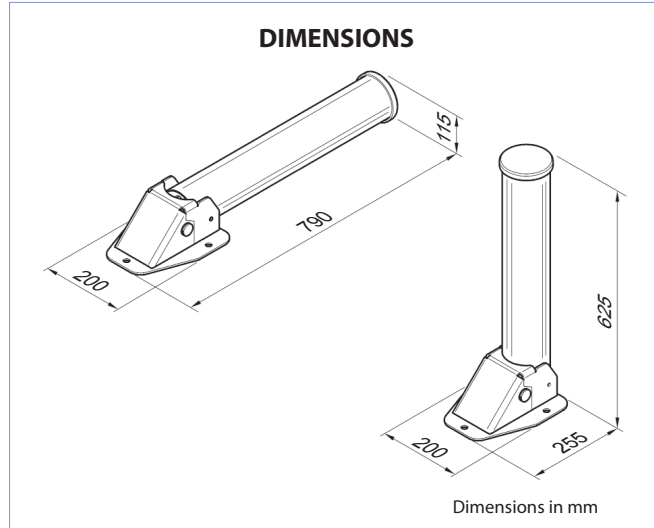


PRODUCT DATASHEET

SCUDO-R

Tilting manual bollard

For parking space safety.



• Tilting manual bollard

- Structure in cathaphoresis treated steel with painted shaft
- Equipped with highly reflective adhesive film
- Release key with special bit and lock with plastic protection cover

REFERENCE STANDARDS

2006/42/CEE (EN60204-1) • Machinery directive

TECHNICAL-ENVIRONMENTAL MAIN FEATURES

Stem size	Ø102 x h.620x th. 3mm steel
Stem size up (mm)	200 L x 225 P x 625 H
Stem size lowered (mm)	200 L x 790 P x 115 H
Finishing and colour	Cathaphoresis, powder paint RAL7031 standard, other colours on request
Lifting	Manual, unlocking system by key
Bollard fixing	Masonry template with 3 anchors (optional)
Net weight	9 Kg
Gross weight	10 Kg

ITEM SPECIFICATION

Tilting manual bollard, For parking space safety. Stem Ø102 x h. 620 x th.3 mm, steel. Stem size up: 200 x 225 x 625 H (mm). Stem size lowered: 200 x 790 x 115 (mm). Finishing: cathaphoresis, powder paint. Highly reflective adhesive film. Release key with special bit and lock with plastic protection cover.