

12 VOLT

GATE OPERATOR EASY₁₂

For gate leaves up to 2,3 m

650EASY12 DX

DC electromechanical gate operator with encoder. Right Hand operation. Maximum gate leaf 2,3 m. Complete with hinged arm.

650EASY12 SX

DC electromechanical gate operator with encoder. Left Hand operation. Maximum gate leaf 2,3 m. Complete with hinged arm.

650EASY12QR DX

DC electromechanical gate operator with built-in electronic control board and rolling code radio receiver. Right hand operation, conceived for gate leaves up to 2,3m, complete with hinged arm.

650EASY12QR SX

DC electromechanical gate operator with built-in electronic control board and rolling code radio receiver. Left hand operation, conceived for gate leaves up to 2,3m, complete with hinged arm.

Features:

- residential use
- for gates leaves up to 2,3 m
- low voltage DC gate operator
- optical encoder technology
- electromechanical motor

Pros:

- compact size
- ideal for big posts
- obstacle detection and crush prevention
- in accordance with EN 12445-12453 standards
- works even during power outage thanks to the optional backup battery
- fast operating speed
- intensive use, ideal for use on apartment buildings and public entrances
- external emergency release available (optional, P/N 650ESE)



Manual release

Easy-to-operate manual release with key lock for the less skilled users. Optional external emergency release device



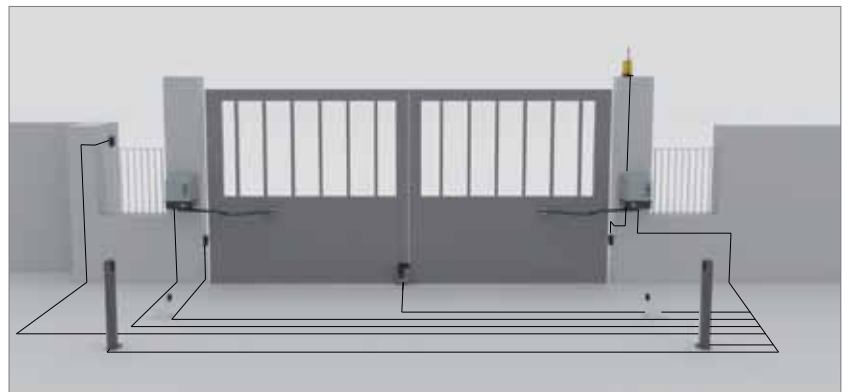
Protected Control Board

The electronic control unit – with built-in radio receiver – is well protected within its plastic shell.



Technical features

	EASY12
Power supply	230 V AC (50 - 60 Hz)
Motor power supply	18 V DC
Open circuit voltage	0,5 A
Power rating	120 W
Opening time 90°	10 sec.
Duty cycle	100 %
Max. torque	157 Nm
Operating temperature	-20° C ÷ +55° C
Motor thermal protection	-
Degree of protection	IP 44
Electronic control unit	D749MA



The above represented installation does not include safety devices such as safety edges. Their addition depends upon the risk assessment made on any installation in accordance with EN 12445-12453 standards.



MADE IN ITALY



EASYKIT03C

Complete double arm automation kit for gates up to 2,3 + 2,3 m, with one 650EASY12QR and one 650EASY12 gate operators

Accessories included in the kit:



900OPTIC



300T-KEY aluminium + LED TSL



250ANTD



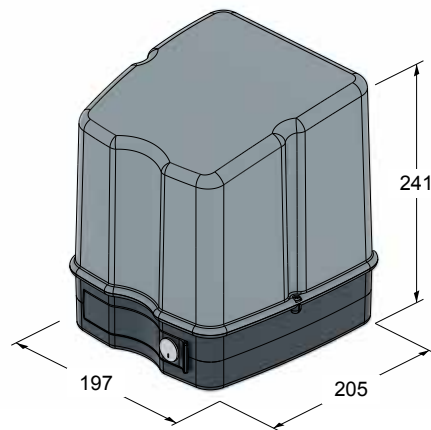
900LAMP4



250K-SLIMRP



C-CRT



Accessories



S-750D749MA Replacement electronic control unit



700GS5 Weatherproof cable connector for 5-core 12 V cable



650ESE External emergency release device with tamper-proof housing and 5 m cable



650ESV1-2 Electric lock (1 = left hand opening – 2 = right hand opening)



200KBE Back-up battery kit



700BAP2 Gate stopper wall/floor mount



650BRCE1 Straight arm with driving track



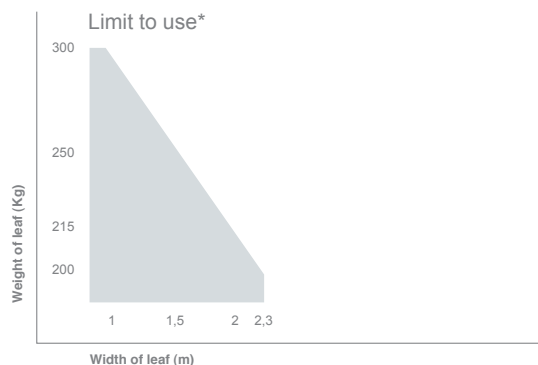
M-030000CC50 Multicore cable (2 x 2.5 sq.mm + 3 x 0.5 sq.mm)



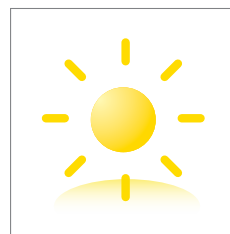
C-TARG Aluminium CE Mark Label, self adhesive



250SM126 Memory card for 126 radio codes **NEW**



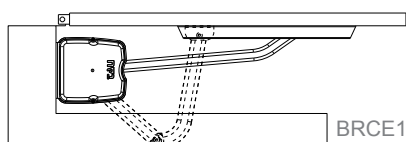
*They refer to leaves with openings and not totally closed panels.



Solar power
Thanks to the Photovoltaic (PV) Technology, every low voltage DC gate operator can be solar powered. Discover the advantages of the solar energy at page 130



Further accessories:
Transmitters page 110
Photocells page 116
Flashing lights page 119



⚠ Use only M-030000CC50 cable or equivalent

230
VOLT

GATE OPERATOR **EASY_{QR}**

For gate leaves up to 2,3 m

650EASY DX

230 V electromechanical gate operator. Right Hand operation. Maximum gate leaf 2,3 m. Complete with hinged arm.

650EASY SX

230 V electromechanical gate operator. Left Hand operation. Maximum gate leaf 2,3 m. Complete with hinged arm.

650EASYQR DX

230 V electromechanical gate operator complete with electronic control unit and built-in 433,92 MHz rolling code radio receiver. Right Hand operation. Maximum gate leaf 2,3 m. Complete with hinged arm.

650EASYQR SX

230 V electromechanical gate operator complete with electronic control unit and built-in 433,92 MHz rolling code radio receiver. Left Hand operation. Maximum gate leaf 2,3 m. Complete with hinged arm.

Features:

- residential use
- for gates leaves up to 2,3 m
- 230 V gate operator
- electronic control unit with built-in 433,92 MHz radio receiver (EASYQR)

Pros:

- compact size
- easy and intuitive installation
- ideal for big posts
- external emergency release available (optional, P/N 650ESE)



Manual release

Easy-to-operate manual release with key lock for the less skilled users. Optional external emergency release device



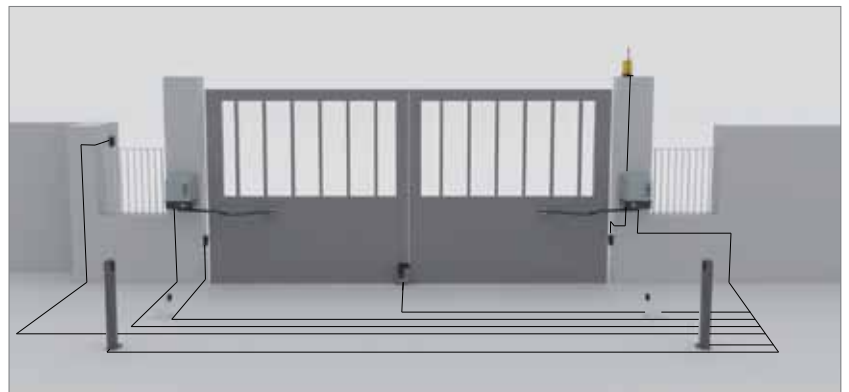
Protected Control Board

The electronic control unit – with built-in radio receiver - is well protected within its plastic shell



Technical features

	EASYQR	EASY
Power supply	230 V AC (50 - 60 Hz)	
Motor power supply	230 V AC	
Absorption	1,5 A	
Power rating	275 W	
Opening time 90°	16 sec.	
Duty cycle	32 %	
Max. torque	160 Nm	
Operating temperature	-20° C ÷ +55° C	
Motor thermal protection	150° C	
Degree of protection	IP 44	



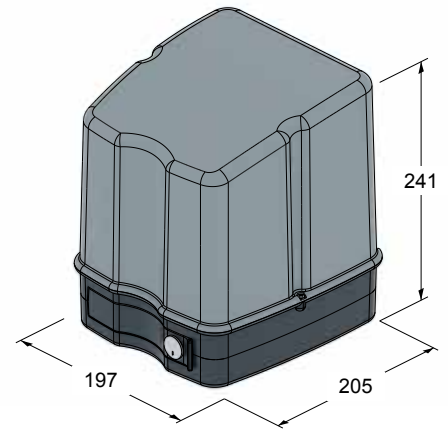
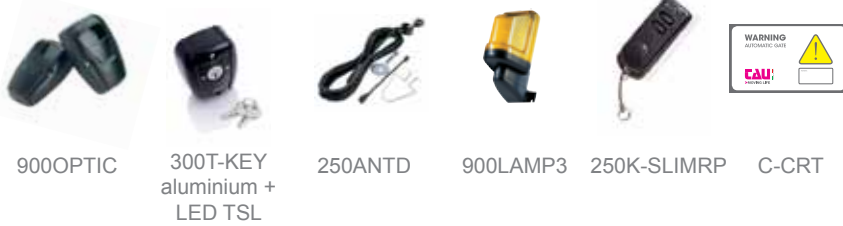
The above represented installation does not include safety devices such as safety edges. Their addition depends upon the risk assessment made on any installation in accordance with EN 12445-12453 standards.



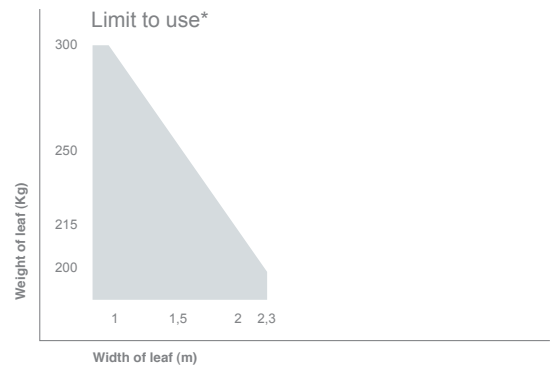
EASYKIT02T

Complete double arm automation kit for gates up to 2,3 + 2,3 m, with one 650EASYQR and one 650EASY gate operators

Accessories included in the kit:



Accessories



*They refer to leaves with openings and not totally closed panels.



Further accessories:
Transmitters page 110
Photocells page 116
Flashing lights page 119