

12
VOLT

GATE OPERATOR R40

For gate leaves up to 3,5 m

650R40

DC electromechanical gate operator with encoder. Maximum gate leaf 3,5 m / 400 kg with **cabl**e l=2,3 m (foundation box to be ordered separately).

650R40L

NEW

DC electromechanical gate operator with encoder. Maximum gate leaf 3,5 m / 400 kg with **cabl**e l=9 m (foundation box to be ordered separately).

Features:

- residential / apartment building use
- for gates leaves up to 3,5 m
- low voltage DC gate operator
- optical encoder technology
- electromechanical motor
- protection degree IP67

Pros:

- virtually invisible, does not affect the design of the gate
- opening up to 180° thanks to the optional 700KIT180 kit
- obstacle detection and crush prevention
- in accordance with EN 12445-12453 standards
- works even in case of a power cut thanks to the optional battery pack
- works even during power outage thanks to the optional backup battery
- intensive use, ideal for use on apartment buildings and public entrances
- watertight for reliable operation



Watertight
Water proof design ensuring a complete and lasting protection.

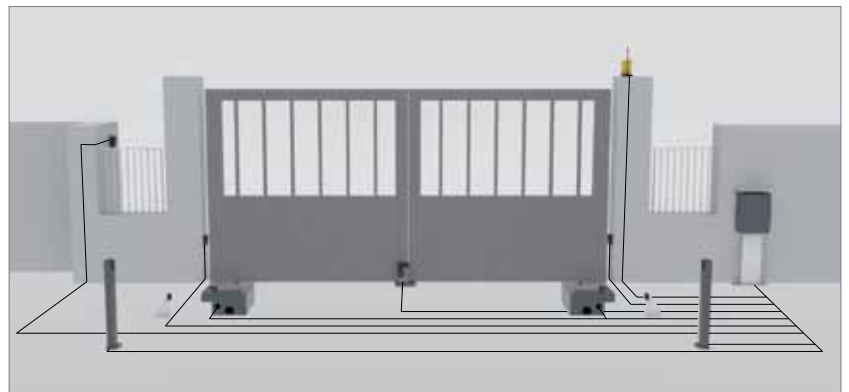


Stainless Steel Box
The stainless steel foundation box ensures the highest resistance from corrosion.



Technical features

	R40/L
Power supply	230 V AC (50 - 60 Hz)
Motor power supply	18 V DC
Open circuit voltage	1,3 A
Power rating	300 W
Opening time 90°	13 sec.
Duty cycle	100 %
Max. torque	458 Nm
Operating temperature	-20° C ÷ +55° C
Motor thermal protection	-
Degree of protection	IP 67



The above represented installation does not include safety devices such as safety edges. Their addition depends upon the risk assessment made on any installation in accordance with EN 12445-12453 standards.



Accessories



700CFR40CT
Cataphoresis steel foundation box **with release system**



750D749MA
Electronic control unit for one or two DC gate operators with encoder, complete with 433,92 Mhz rolling code radio receiver, battery charger, transformer and enclosure



700CFR40C
Hot-dip galvanized foundation box **with release system**



200BATT
12 Volt Battery, 7,2 Ah



700CFR40X
Stainless steel foundation box **with release system**



M-030KITKB20
Battery cables kit (20 pcs)



S-700CFR4060
Stainless steel cover lid for foundation box



700GS5
Weatherproof cable connector for 5-core 12 V cable



700KIT180
180° opening kit



650ESV1-2
Electric lock (1 = left hand opening – 2 = right hand opening)



700KITBFR
Adjustable mechanical stop lever



M-030000CC50
Multicore cable (2 x 2.5 sq.mm + 3 x 0.5 sq.mm)



C-TARG
Aluminium CE Mark Label, self adhesive



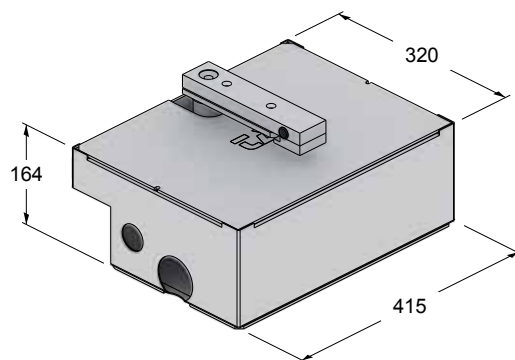
250SM126 NEW
Memory card for 126 radio codes



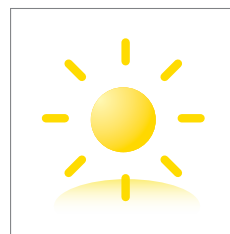
250SM254 NEW
Memory card for 254 radio codes



250SM1022 NEW
Memory card for 1022 radio codes



*They refer to leaves with openings and not totally closed panels.



Solar power
Thanks to the Photovoltaic (PV) Technology, every low voltage DC gate operator can be solar powered. Discover the advantages of the solar energy at page 130



Further accessories:
Transmitters page 110
Photocells page 116
Flashing lights page 119

Use only M-030000CC50 cable or equivalent

230
VOLT

GATE OPERATOR R30

For gate leaves up to 3,5 m

650R30

230 V electromechanical gate operator. Maximum gate leaf 3,5 m / 400 kg with **cable l=2,3 m** (foundation box to be ordered separately).

650R30L

NEW

230 V electromechanical gate operator. Maximum gate leaf 3,5 m / 400 kg with **cable l=9 m** (foundation box to be ordered separately).

Features:

- residential use
- for gates leaves up to 3,5 m
- 230 V gate operator
- electromechanical motor
- protection degree IP67

Pros:

- virtually invisible, does not affect the design of the gate
- opening up to 180° thanks to the optional 700KIT180 kit
- watertight for reliable operation
- manual release
- high torque and power
- suitable for large gates and non standard sized posts



Technical features

	R30/L
Power supply	230 V AC (50 - 60 Hz)
Motor power supply	230 V AC
Absorption	1,4 A
Power rating	260 W
Opening time 90°	16,5 sec.
Duty cycle	33 %
Max. torque	402 Nm
Operating temperature	-20° C ÷ +55° C
Motor thermal protection	160° C
Degree of protection	IP 67



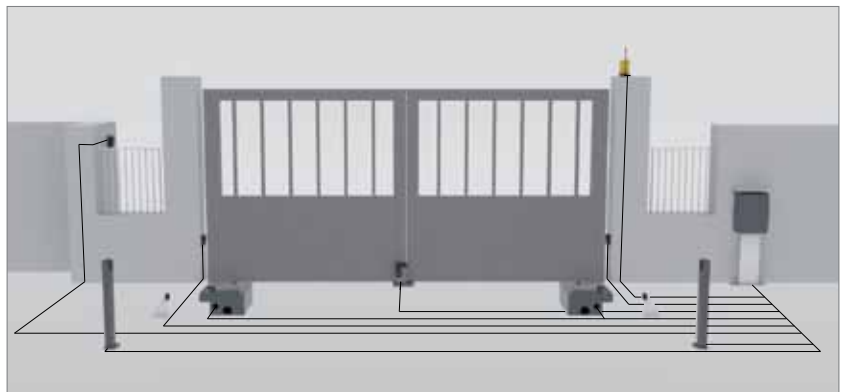
Watertight

Water proof design ensuring a complete and lasting protection.



Stainless Steel Box

The stainless steel foundation box ensures the highest resistance from corrosion.



The above represented installation does not include safety devices such as safety edges. Their addition depends upon the risk assessment made on any installation in accordance with EN 12445-12453 standards.



MADE IN ITALY

Accessories



700CFR40CT
Cataphoresis steel foundation box with release system



750CUP
Control unit enclosure protective lid



700CFR40C
Hot-dip galvanized foundation box with release system



700GS3
Weatherproof cable connector for 3-core 230 V cable



700CFR40X
Stainless steel foundation box with release system



650ESV1-2
Electric lock (1 = left hand opening - 2 = right hand opening)



S-700CFR4060
Stainless steel cover lid for foundation box



700BAP
Gate stopper for heavy leaves



700KIT180
180° opening kit



700BAP2
Gate stopper wall/floor mount



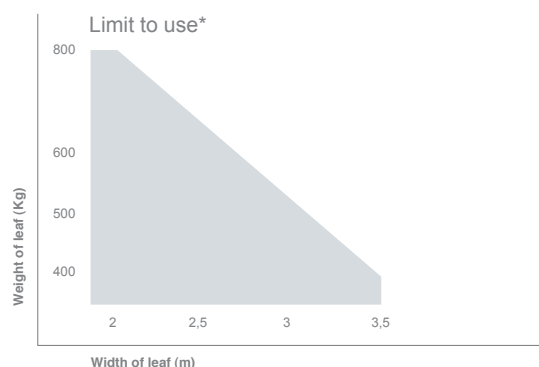
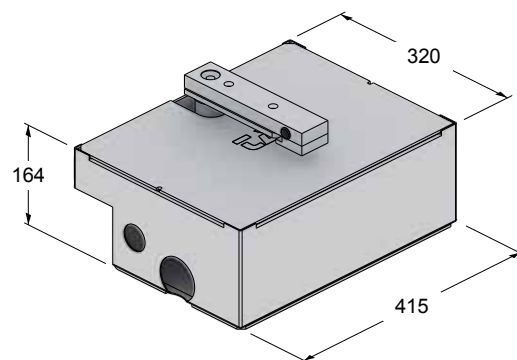
700KITBFR
Adjustable mechanical stop lever



750D760M
Electronic control unit for one or two 230 V gate operators with soft-stop and built-in 433,92 MHz rolling code radio receiver, complete with enclosure



C-TARG
Aluminium CE Mark Label, self adhesive



*They refer to leaves with openings and not totally closed panels.



Further accessories:
Transmitters page 110
Photocells page 116
Flashing lights page 119