

# TRANSMITTERS AND RADIO RECEIVERS

# ROLLING CODE TECHNOLOGY

## Features:

- frequency: 433,92 MHz
- range: up to 200 m in open air (the effective range depends on terrain and possible radio frequency interferences)
- 281.000 billion code combinations
- rolling code technology: every time the transmitter sends a code, it generates a new code using an encoder. An algorithm identifies and validates only the signal of the transmitters encoded by the radio receiver.

## Pros:

- virtually impossible to duplicate
- code can be personalized thanks to the TAU-PROG programmer
- ideal for multi-user systems
- a transmitter can be programmed into any number of self-learning radio receivers, thus avoiding the use of different transmitters
- tougher shells

Thanks to the TauApp on your smartphone and to the T-WIFI device, it is possible to change all parameters of Diamond series control units. For example, you can change the opening and closing speed of the gate, the acceleration or deceleration time during opening and closing maneuvers and many more parameters. You can also check the status of the automation and the diagnostic of its operation.

Thanks to the TAUPROG handheld programmer and the new TAUPROG management software it is possible to create and manage an access control database, with a wide range of new functions. Rolling code transmitters can't be duplicated or added an existing system unless enabled by the same TAU-PROG handheld programmer, thanks to the unique code embedded in each TAUPROG encoder. The user-friendly TAUPROG database management software (PC version) stores database contents and allows multiple functions such as customize and add comments to every transmitter stored, add/remove new transmitters to an existing system, enable/disable codes, make back-up copies and prints. It is possible to modify advanced parameters on DIAMOND control boards.

## 250K-SLIMRP

Two-channel transmitter, rolling code technology, 433,92 MHz



## 250T-4RP

Four-channel transmitter, rolling code technology, 433,92 MHz, complete with support



## 250S-2RP

Two-channel transmitter, rolling code technology, 433,92 MHz



## 250S-4RP

Four-channel transmitter, rolling code technology, 433,92 MHz

## 250T-WIFI

2,4 Ghz connecting device to allow the use of the smartphone to remote control and programme Diamond series control units through the TauApp.



## 250TAUPROG

Handheld device to program preset radio receivers and electronic control boards



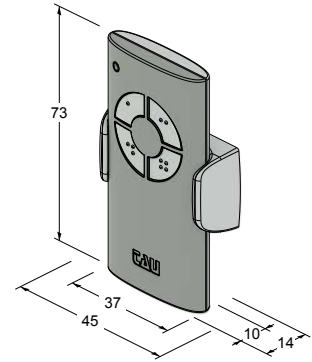
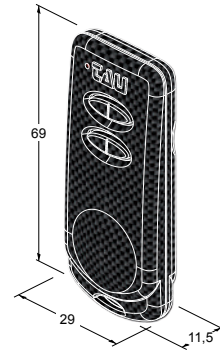
### 250T-RADIO1

Universal system made of one 433,92 MHz single-channel and self-learning receiver with built-in aerial and a two-channel K-SLIM transmitter with rolling code technology



### 250T-RADIO2

Universal system made of one 433,92 MHz two-channel and self-learning receiver with built-in aerial and two four-channel T-4RP transmitters with rolling code technology



## Radio receivers



**250RXSM1**  
Self-learning, single-channel, 433,92 MHz plug-in radio receiver. Accepts up to 14 rolling code transmitters or unlimited dipswitch transmitters.



**250RXSM4**  
Self-learning, four-channel, 433,92 MHz radio receiver with enclosure. Accepts up to 14 rolling code transmitters or unlimited dipswitch transmitters.



**250RXSM2**  
Self-learning, two-channel, 433,92 MHz plug-in radio receiver. Accepts up to 14 rolling code transmitters or unlimited dipswitch transmitters.



**250RXSM4T**  
230 V Self-learning, four-channel, 433,92 MHz radio receiver with enclosure. Accepts up to 14 rolling code transmitters or unlimited dipswitch transmitters.



**250RXSM1B**  
Self-learning, single-channel, 433,92 MHz radio receiver with enclosure. Accepts up to 14 rolling code transmitters or unlimited dipswitch transmitters.



**250SM126**  
Memory card for 126 radio codes



**250RXSM2B**  
Self-learning, two-channel, 433,92 MHz radio receiver with enclosure. Accepts up to 14 rolling code transmitters or unlimited dipswitch transmitters.



**250SM254D**  
Memory card for 254 radio codes



**250SM1022**  
Memory card for 1022 radio codes

## Accessories



**200BATTBUG**  
Batteries for T-4, K-SLIM and BUG2-4 transmitters



**250ANTD**  
Aerial with 5 m cable (to be mounted on LAMP flashing lights)



**250ANTD1**  
Aerial with mounting bracket and 5 m cable